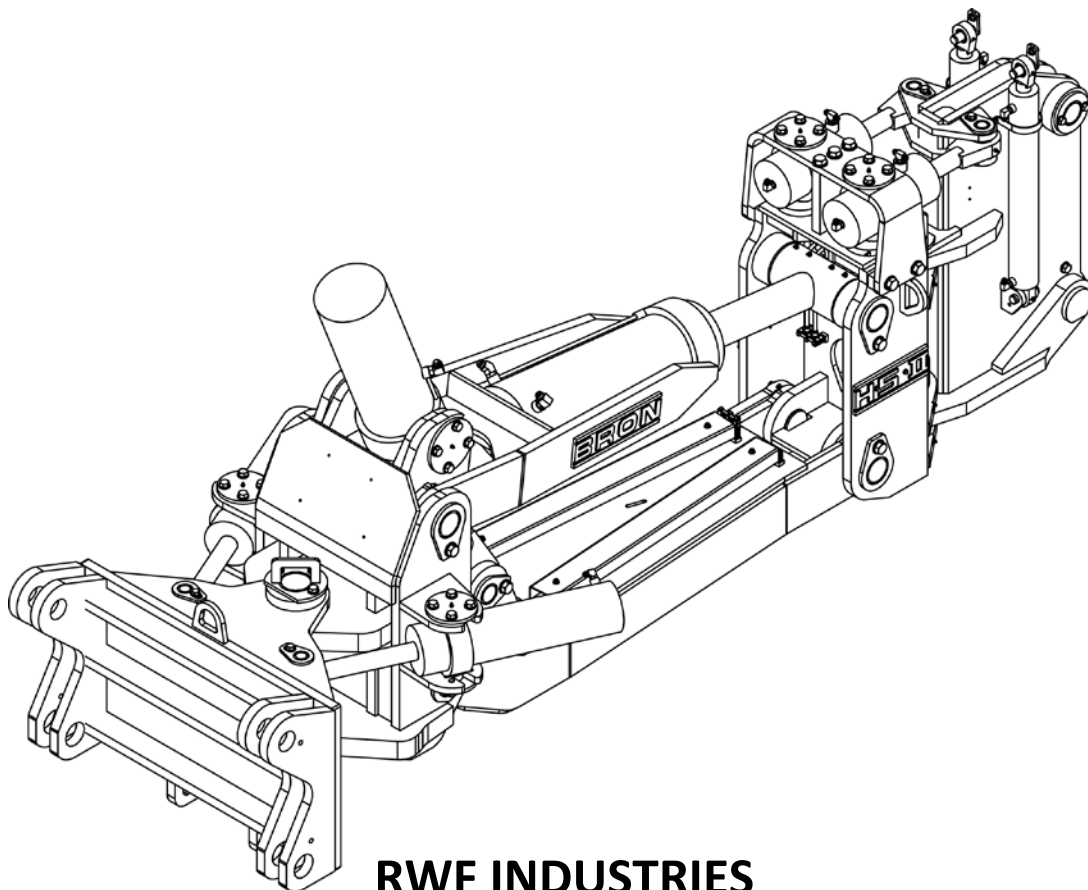


RWF BRON

HSII PLOW PARTS MANUAL



RWF INDUSTRIES

873 Devonshire Ave., Woodstock,
Ontario N4S 8Z4

Tel: (519) 421-0036

Toll Free: 1-800-263-1060

Fax: (519) 421-0028

Email: parts@rwfbron.com

GENERIC PARTS MANUAL

JANUARY 2015

THE INFORMATION CONTAINED IN RWF BRON PARTS AND OPERATOR'S MANUALS IS NOT TO BE REPRODUCED OR DISTRIBUTED TO ANY PERSON OTHER THAN THE INTENDED RECIPIENT

PLOW BREAKDOWN

TABLE OF CONTENTS

BACKPLATE..... 1

FRONT MAST 2

UPPER LINK..... 3

LOWER LINK..... 4

REAR MAST 5

BLADE HOLDER 6

FRONT SWING CYLINDER 7

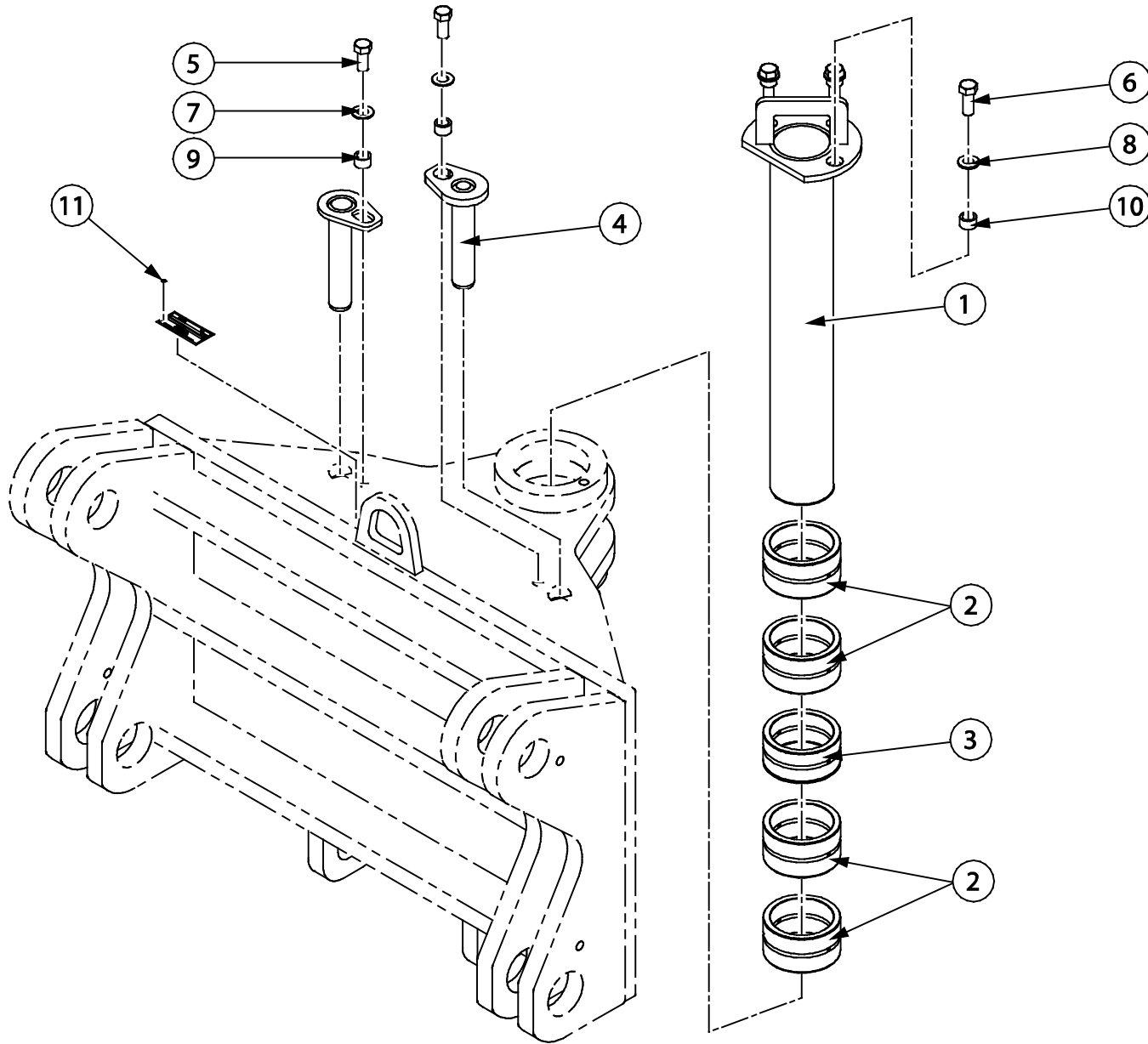
REAR SWING CYLINDER 8

LIFT CYLINDER..... 9

BLADE HEIGHT CYLINDER..... 10

DECALS..... 11

1 BACKPLATE (BACKPLATE SHOWN FOR ILLUSTRATIVE PURPOSES ONLY)



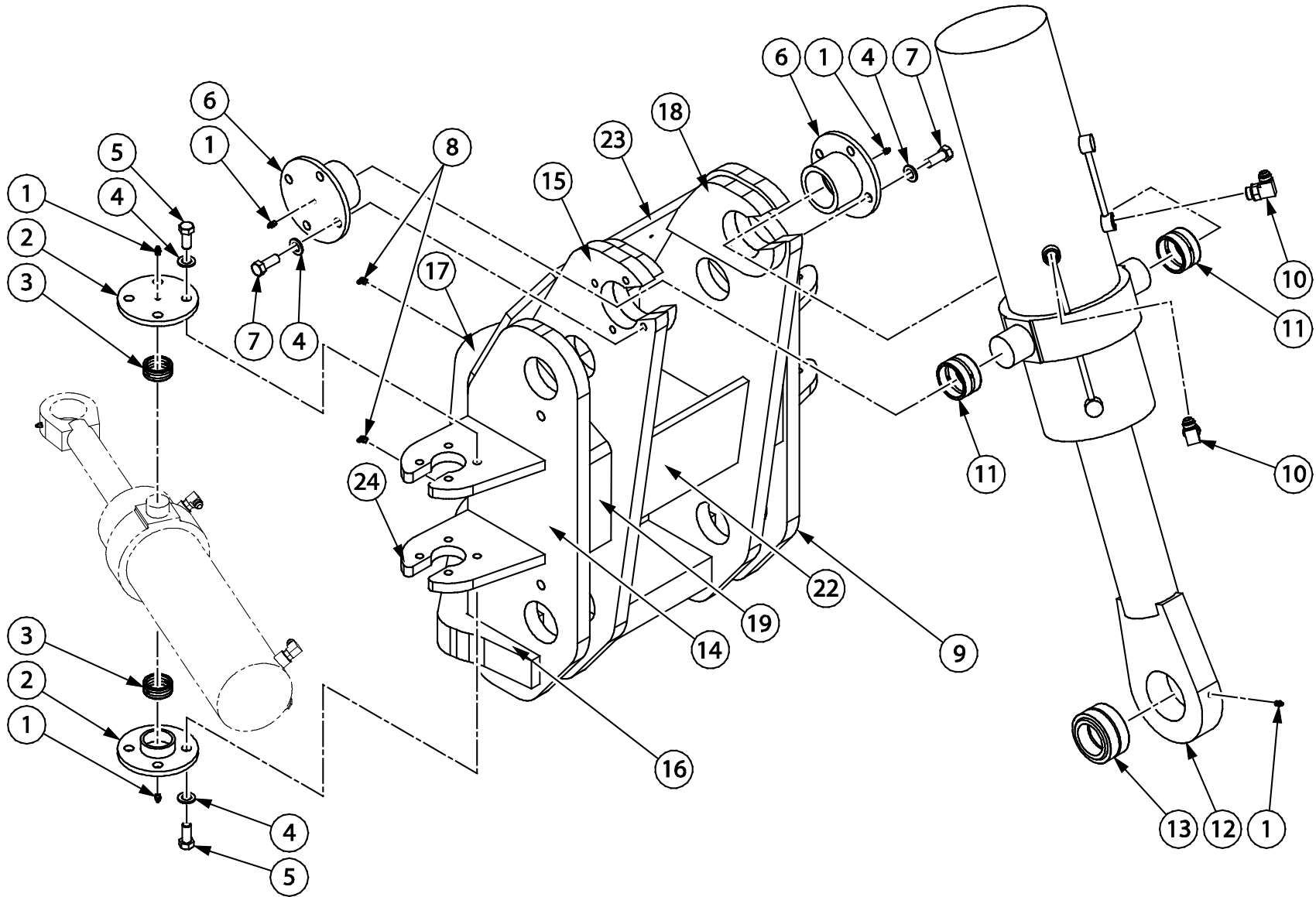
rwf_0769

1 BACKPLATE (BACKPLATE SHOWN FOR ILLUSTRATIVE PURPOSES ONLY)

HSII

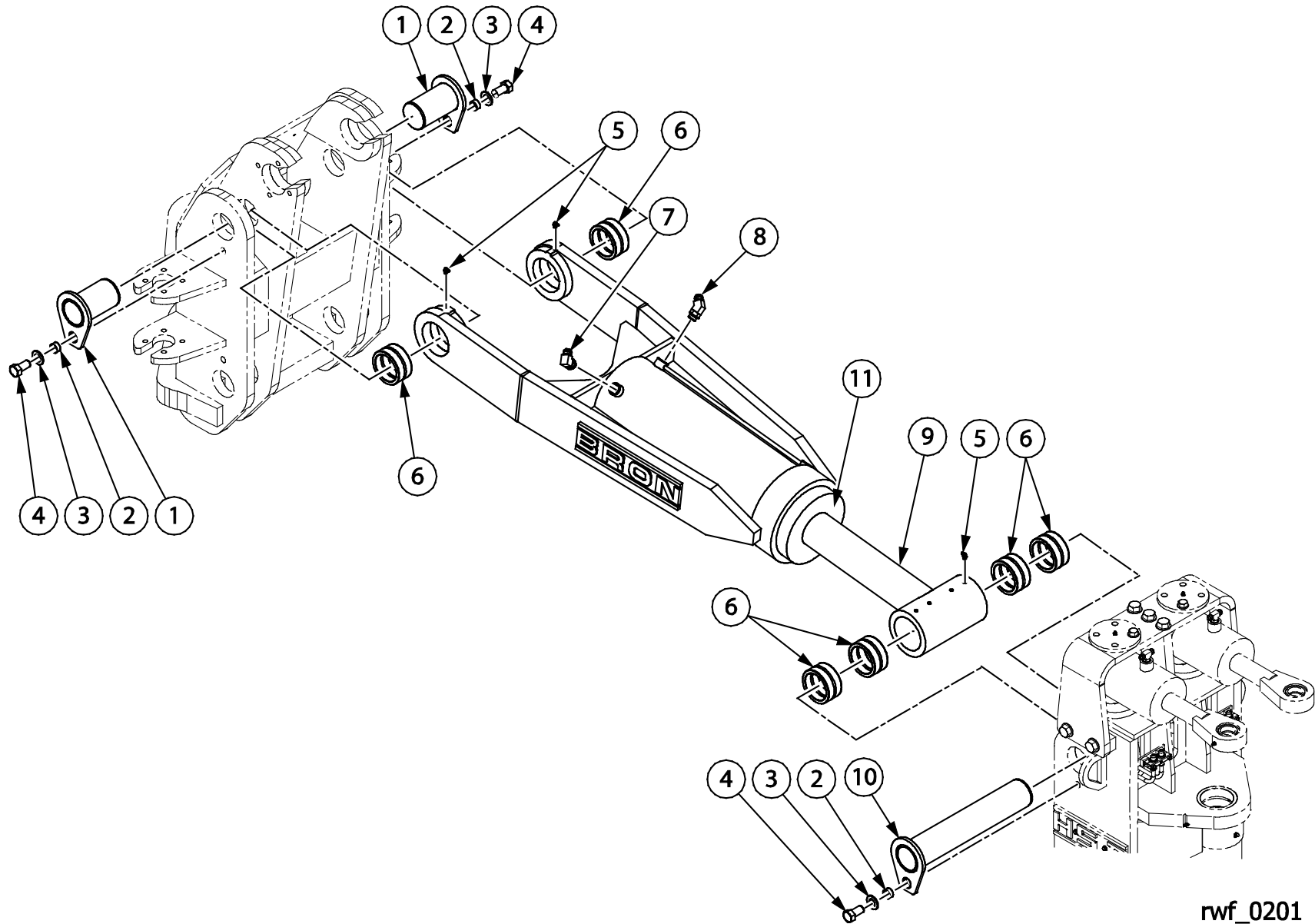
PARTS MANUAL

Item	Quantity	Part Number	Description
1	1	12289	PIN ASSEMBLY
2	4	15178	BUSHING
3	1	15177	BUSHING
4	2	12270	PIN ASSEMBLY
5	2	80111	HEX HEAD BOLT
6	3	80090	HEX HEAD BOLT
7	2	80582	WASHER
8	3	80581	WASHER
9	2	114858	BOLT SPACER
10	3	115057	BOLT SPACER
11	2	80770	RIVET



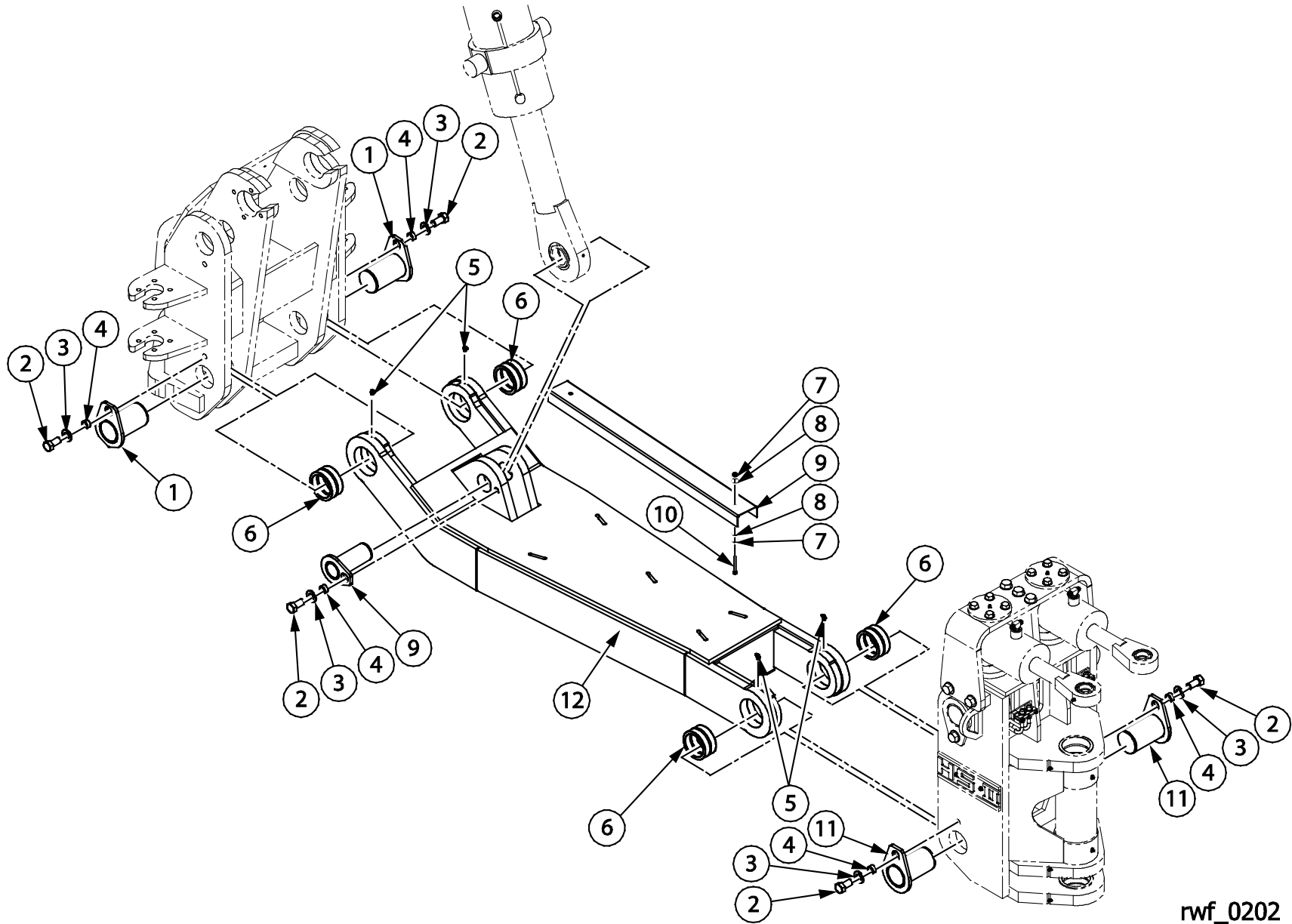
rwf_0200

Item	Quantity	Part Number	Description
1	7	80680	STRAIGHT GREASE FITTING
2	4	12975	TRUNNION CAP
3	4	15179	BUSHING
4	24	80582	WASHER
5	16	80110	HEX HEAD BOLT
6	2	13413	TRUNNION CAP
7	8	80111	HEX HEAD BOLT
8	2	80682	90° GREASE FITTING
9	1	40363	HS II FRONT MAST
10	2	90251	90° ADAPTER
11	2	15181	BUSHING
12	1	12234	LIFT CYLINDER (SEE SECTION 9 FOR ASSEMBLY BREAKDOWN)
13	1	12005	SWIVEL BUSHING
14	2	16000	SIDE PLATE
15	2	16001	INNER SIDE PLATE
16	1	16002	LOWER LUG PLATE
17	1	16003	UPPER LUG PLATE
18	2	16004	SPACER
19	2	16005	SPACER PLATE
20	1	16006	PLATE
21	2	16007	PLATE
22	1	16008	PLATE
23	1	16009	MANIFOLD PLATE
24	4	16010	SWING CYLINDER LUG PLATE



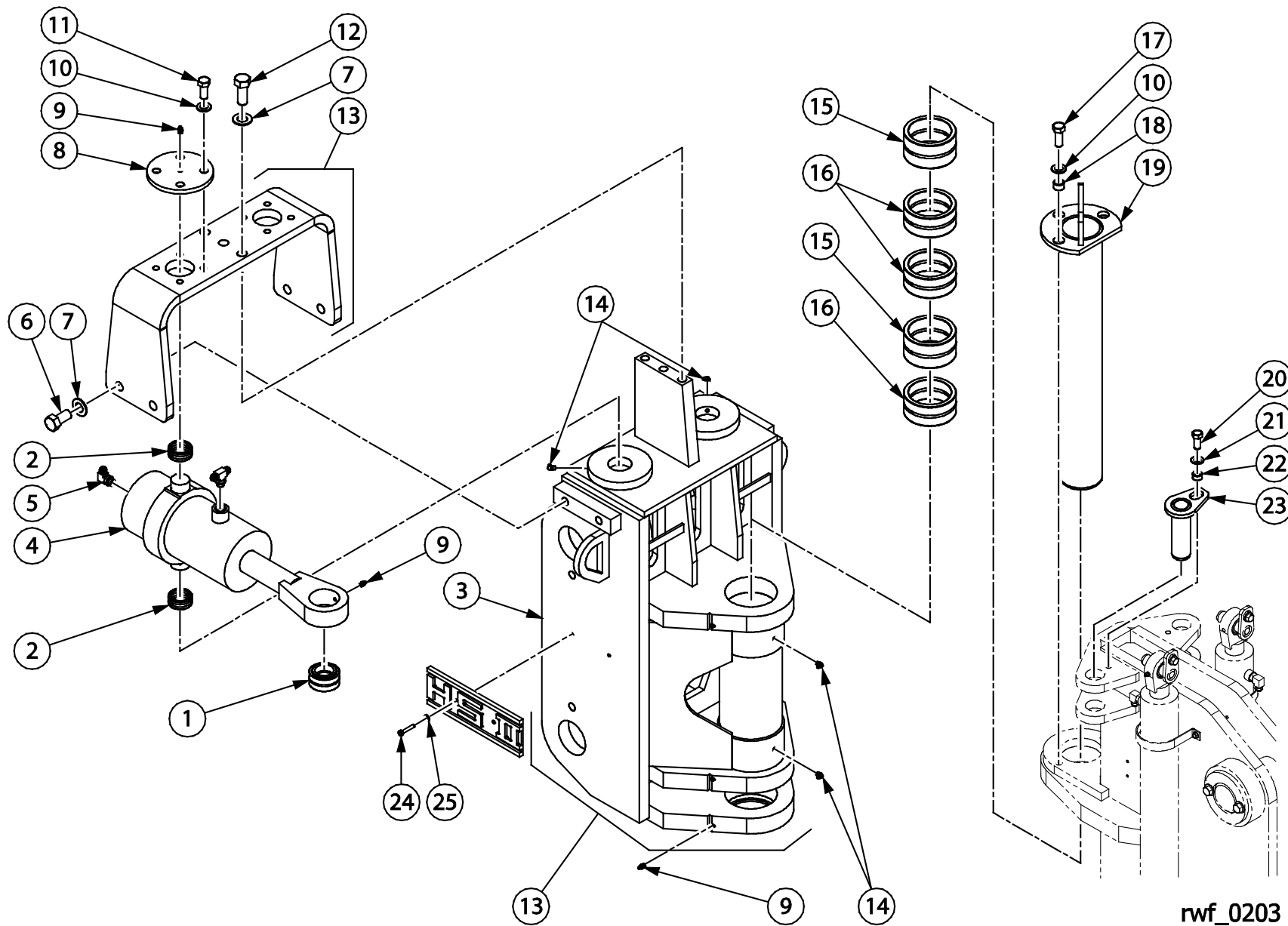
rwf_0201

Item	Quantity	Part Number	Description
1	2	12283	PIN ASSEMBLY
2	3	114851	BOLT SPACER
3	3	80584	WASHER
4	3	80157	HEX HEAD BOLT
5	6	80682	90° GREASE FITTING
6	6	15176	BUSHING
7	1	90251	90° ADAPTER
8	1	90233	45° ADAPTER
9	1	40364	UPPER LINK WELDMENT
10	1	12285	PIN ASSEMBLY
11	1	12242	ATTITUDE CYLINDER * CANNOT BE ORDERED SEPARATELY FROM THE UPPER LINK WELDMENT*
12	1	12224	<ul style="list-style-type: none"> • BARREL WELDMENT
13	1	12328	<ul style="list-style-type: none"> • ROD WELDMENT
14	1	12310	<ul style="list-style-type: none"> • PISTON
15	1	12260	<ul style="list-style-type: none"> • GLAND
16	1	12492	<ul style="list-style-type: none"> • SEAL KIT



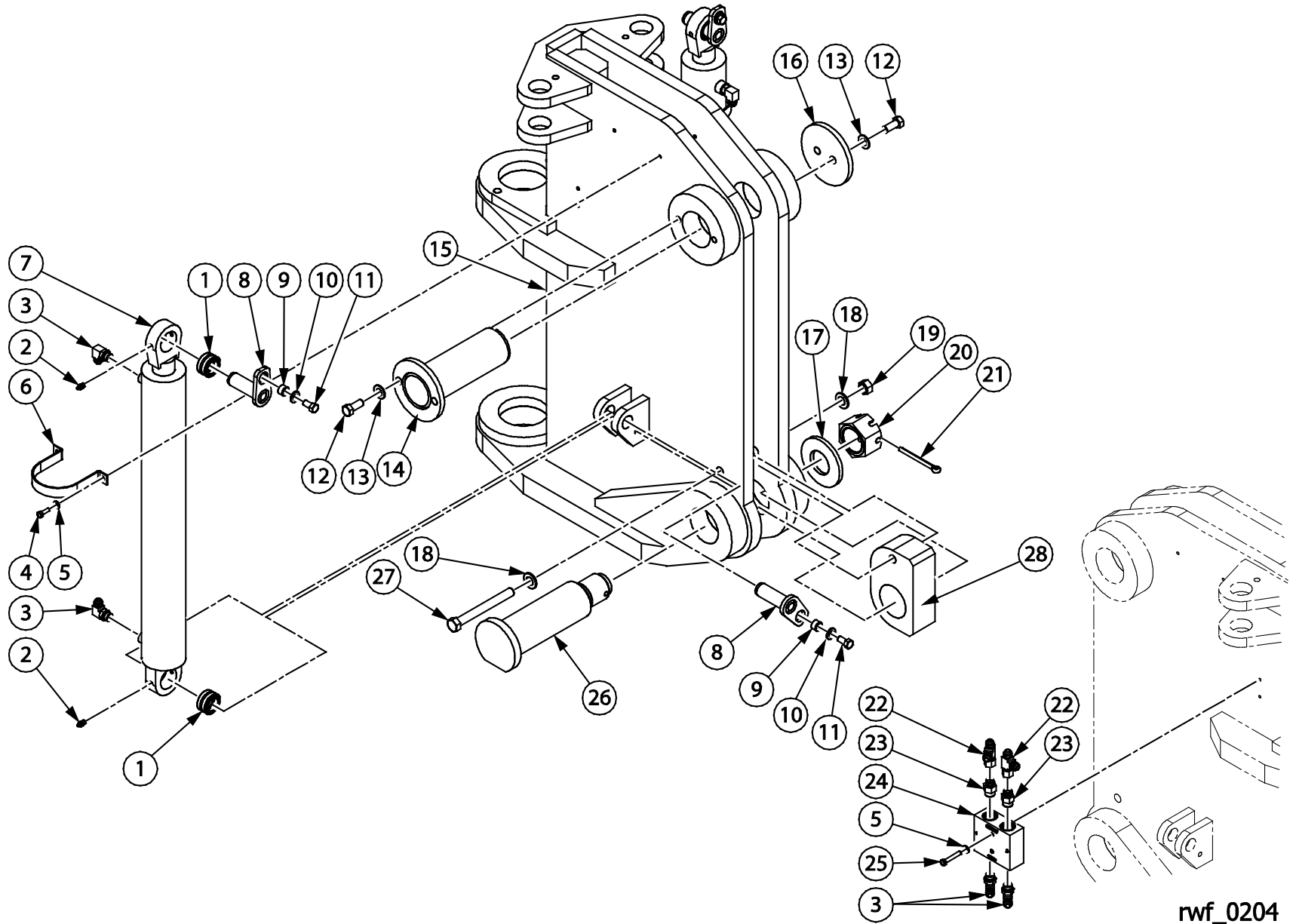
rwf_0202

Item	Quantity	Part Number	Description
1	2	117128	PIN
2	5	80157	HEX HEAD BOLT
3	5	80584	WASHER
4	5	114851	BOLT SPACER
5	4	80682	90° GREASE FITTING
6	4	15176	BUSHING
7	8	80502	NUT
8	8	80578	WASHER
9	1	12275	PIN ASSEMBLY
10	4	80025	HEX HEAD BOLT
11	2	12283	PIN ASSEMBLY
12	1	40365	LOWER LINK WELDMENT



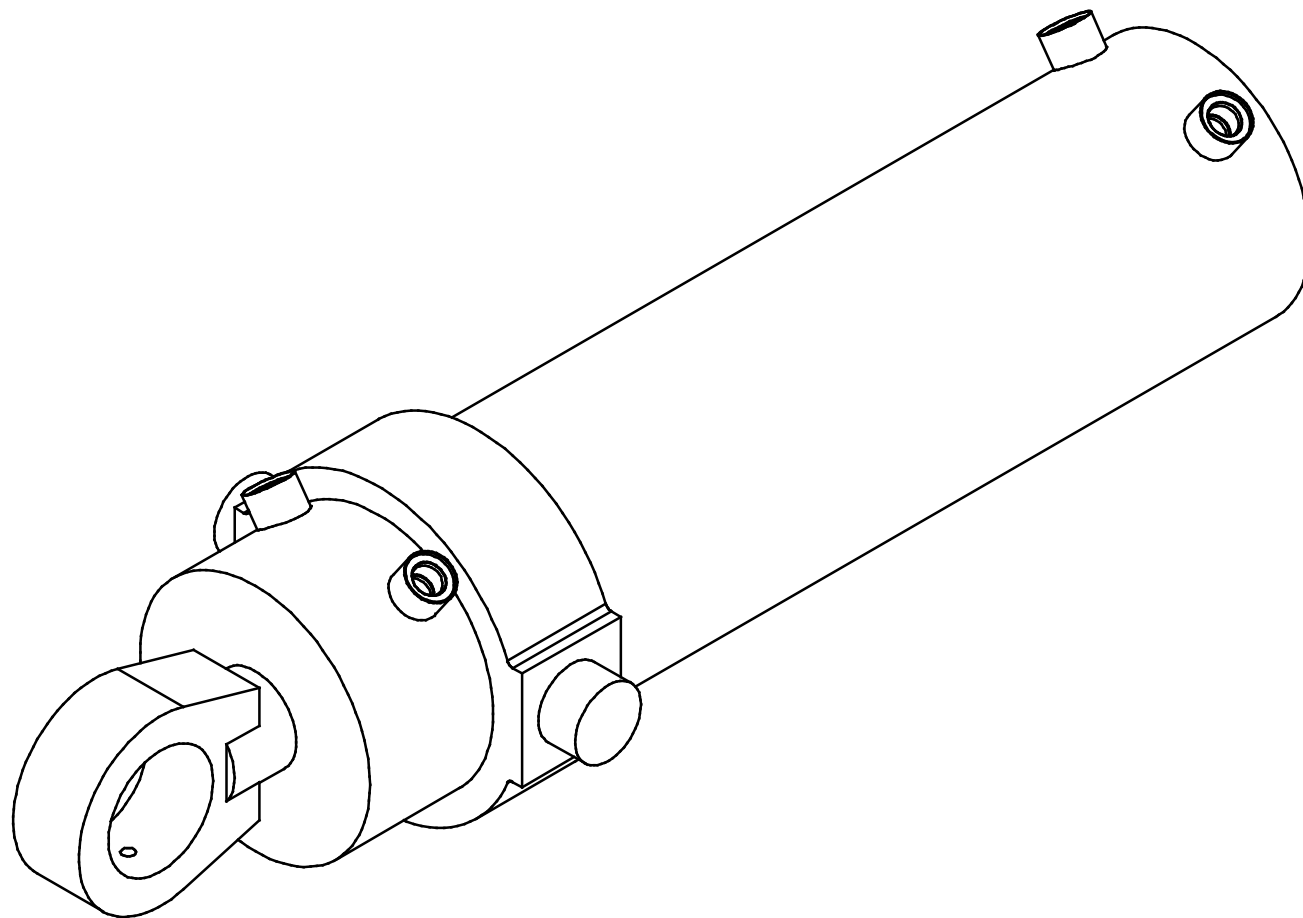
rwf_0203

Item	Quantity	Part Number	Description
1	2	15459	SWIVEL BUSHING
2	4	15179	BUSHING
3	1	40366	REAR MAST WELDMENT
4	2	12238	REAR SWING CYLINDER (SEE SECTION 8 FOR ASSEMBLY BREAKDOWN)
5	2	90246	90° ADAPTER
6	4	80157	HEX HEAD BOLT
7	11	80584	WASHER
8	2	12975	TRUNNION CAP
9	7	80680	STRAIGHT GREASE FITTING
10	10	80582	WASHER
11	8	80110	HEX HEAD BOLT
12	3	80159	HEX HEAD BOLT
13	1	32695	REAR MAST ASSEMBLY
14	4	80682	90° GREASE FITTING
15	2	15178	BUSHING
16	3	15177	BUSHING
17	2	80111	HEX HEAD BOLT
18	2	114858	BOLT SPACER
19	1	12290	PIN ASSEMBLY
20	2	80090	HEX HEAD BOLT
21	2	80581	WASHER
22	2	115057	BOLT SPACER
23	2	12267	PIN ASSEMBLY
24	4	80018	HEX HEAD BOLT
25	4	80577	WASHER



rwf_0204

Item	Quantity	Part Number	Description
1	4	12981	SWIVEL BUSHING
2	4	80680	STRAIGHT GREASE FITTING
3	6	90246	90° ADAPTER
4	4	80015	HEX HEAD BOLT
5	6	80577	WASHER
6	2	13175	BLADE HEIGHT CYLINDER GUARD
7	2	12910	BLADE HEIGHT CYLINDER (SEE SECTION 10 FOR ASSEMBLY BREAKDOWN)
8	4	12977	PIN ASSEMBLY
9	4	115800	BOLT SPACER
10	4	80580	WASHER
11	4	80069	HEX HEAD BOLT
12	4	80090	HEX HEAD BOLT
13	4	80581	WASHER
14	1	12280	PIN ASSEMBLY
15	1	30343	BLADE HOLDER WELDMENT
16	1	13733	WASHER PLATE
17	1	12294	WASHER
18	2	80582	WASHER
19	1	80506	NUT
20	1	80545	SLOTTED NUT
21	1	80660	COTTER PIN
22	2	90413	SWIVEL TEE
23	2	90073	STRAIGHT ADAPTER
24	1	13161	DOUBLE LOCK VALVE
25	2	80019	HEX HEAD BOLT
26	1	12292	BLADE HOLDER PIN
27	1	80125	HEX HEAD BOLT
28	1	16081	GUIDE BLOCK



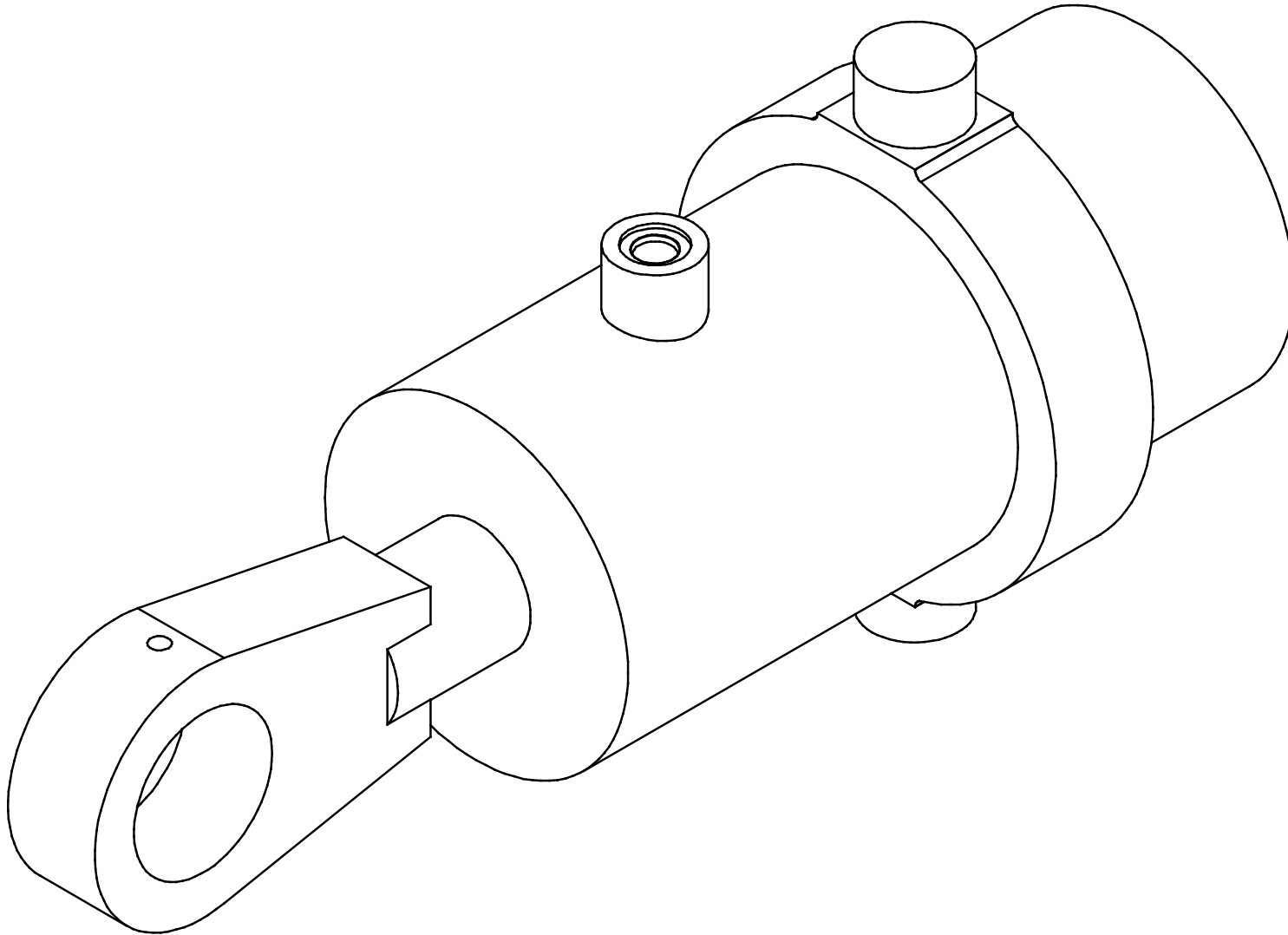
rwf_0206

7 FRONT SWING CYLINDER (12230)

HSII

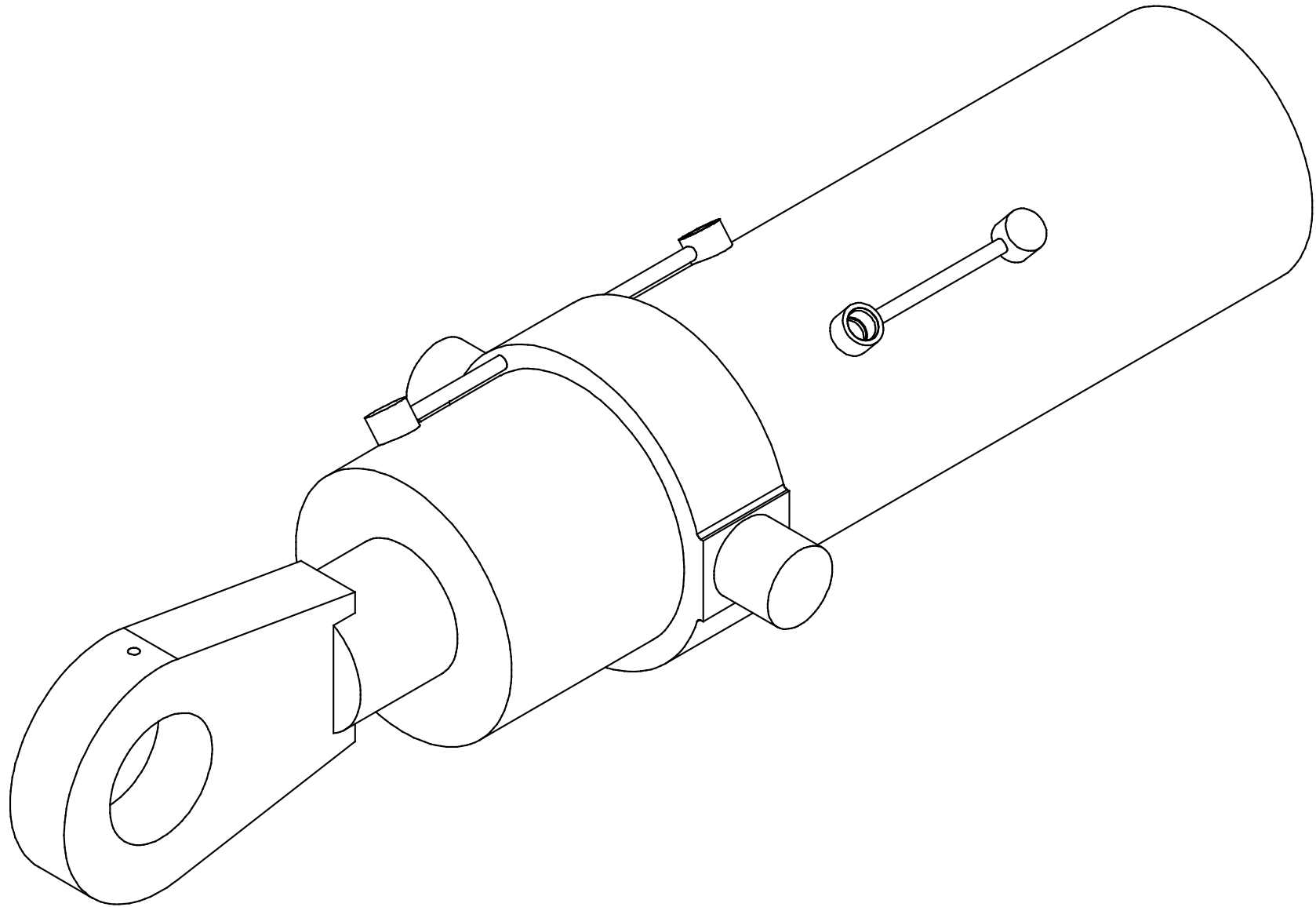
PARTS MANUAL

Item	Quantity	Part Number	Description
1	1	12487	SEAL KIT
2	1	15459	BEARING-SWIVEL
3	1	17953	ROD EYE
4	1	12212	BARREL WELDMENT
5	1	12316	ROD WELDMENT
6	1	12298	PISTON
7	1	12476	STOVER NUT
8	1	12248	GLAND



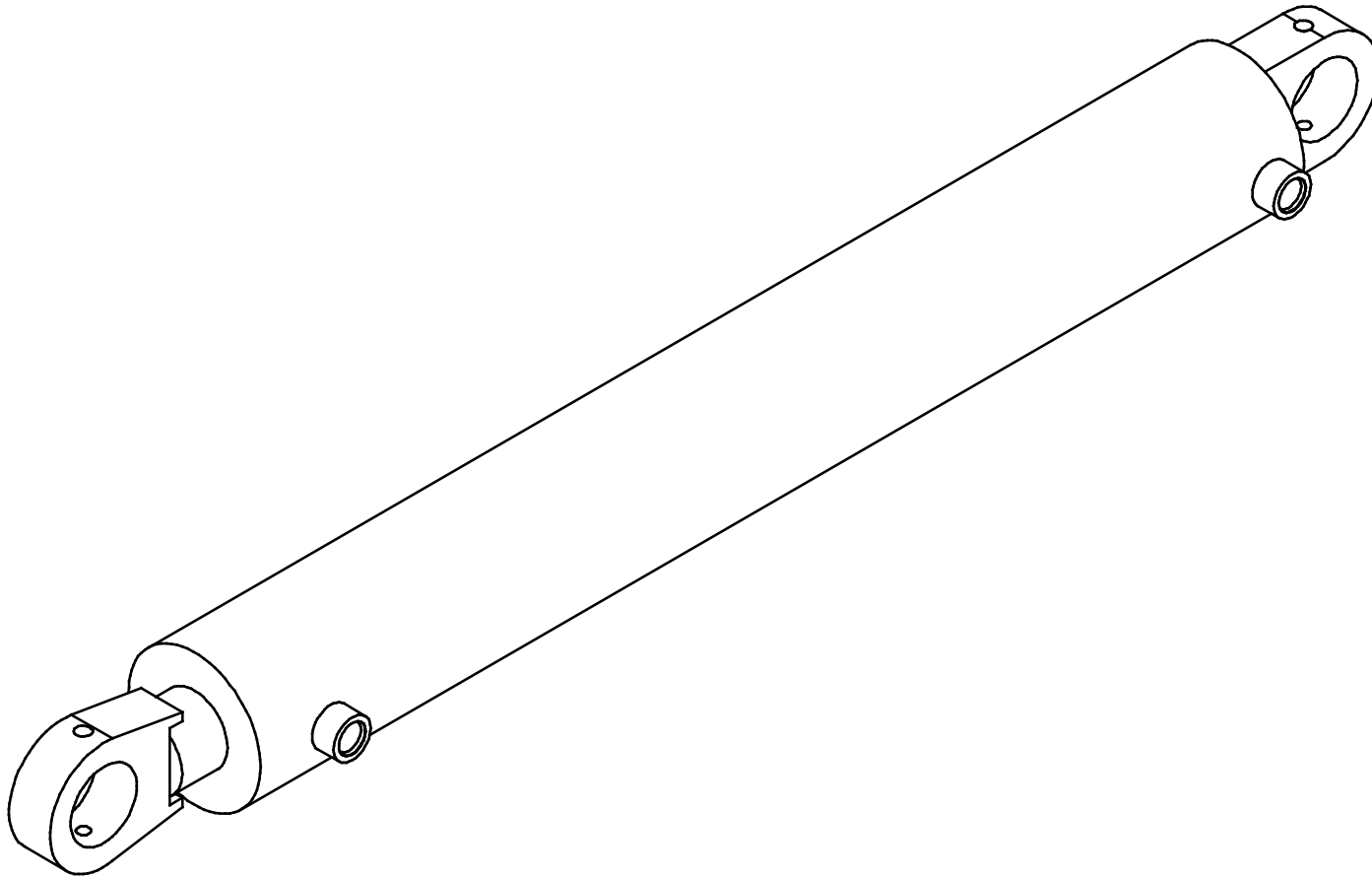
rwf_0209

Item	Quantity	Part Number	Description
1	1	118263	ROD EYE
2	1	12220	BARREL WELDMENT
3	1	12324	ROD WELDMENT
4	1	12306	PISTON
5	1	12476	STOVER NUT
6	1	12256	GLAND
7	1	12487	SEAL KIT
8	1	15459	SWIVEL BEARING



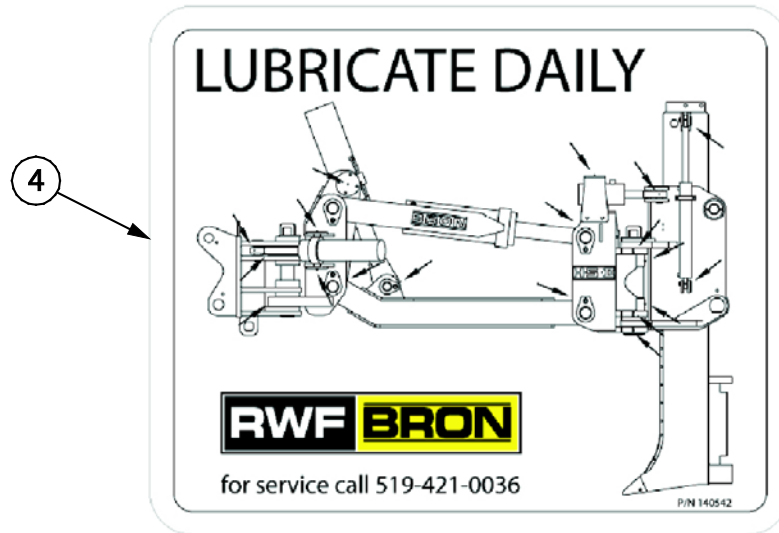
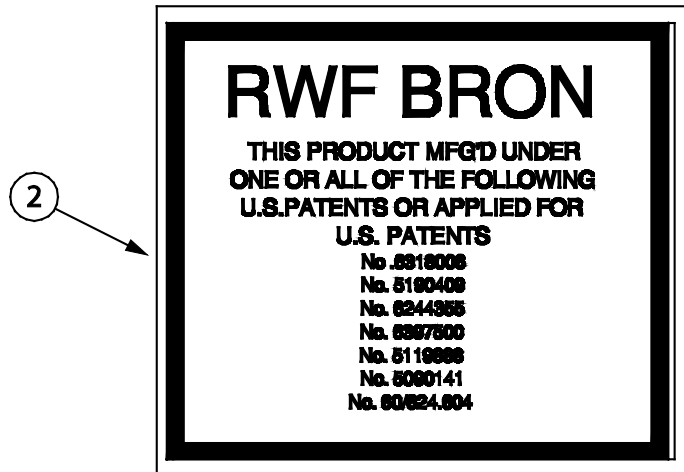
rwf_0207

Item	Quantity	Part Number	Description
1	1	12216	BARREL WELDMENT
2	1	12320	ROD WELDMENT
3	1	12302	PISTON
4	1	12252	GLAND
5	1	12491	SEAL KIT
6	1	12005	SWIVEL BUSHING



rwf_0154

Item	Quantity	Part Number	Description
1	2	12981	SWIVEL BUSHING
2	1	120361	CYLINDER LUG EYE
3	1	121487	CYLINDER LUG EYE - CYLINDER END
4	1	13446	BARREL WELDMENT
5	1	10719	STOVER NUT
6	1	13448	PISTON
7	1	13447	ROD WELDMENT
8	1	13449	GLAND
9	4	80680	STRAIGHT GREASE FITTING
10	1	13450	SEAL KIT



rwf_0210

Item	Quantity	Part Number	Description
1	4	11983	WARNING SWING AREA DECAL
2	1	16923	PATENT DECAL
3	2	11982	CAUTION NO WELDING DECAL
4	1	140542	LUBRICATE DAILY DECAL
5	2	80770	RIVET